



TW-BP-2450A1

LFPO Battery Pack



Nominal Voltage
25.6V 50AH



BMU replaceable design for easy maintenance



Integration BMS can real time monitor
voltage and temperature



Built-in isoSPITM Interface
•1Mb Isolated Serial Communications
•Uses a Single Twisted Pair, up to 100 Meters
•Low EMI Susceptibility and Emissions



Adopt the leading AFE IC of Linear technology
•With stackable high voltage Lithium battery system
•Built-in temperature and voltage sampling
•Anti-EMI

TW-BP-2450A1

SPECIFICATION

Nominal Voltage	25.6V
Capacity	50Ah
Internal Resistance	$\leq 15m\Omega$

CHARGING/DISCHARGING

Standard Charging Current	15A
Max. Charging Current	25A
End of Charging Voltage	28.8V
Standard Discharging Current	300A
Max. Discharging Current	350A
End of Discharging Voltage	21.44V

TEMPERATURE RANGE

Charging	0°C ~ +45°C
Discharging	-10°C ~ +60°C
Ambient Temperature	+10°C ~ +35°C

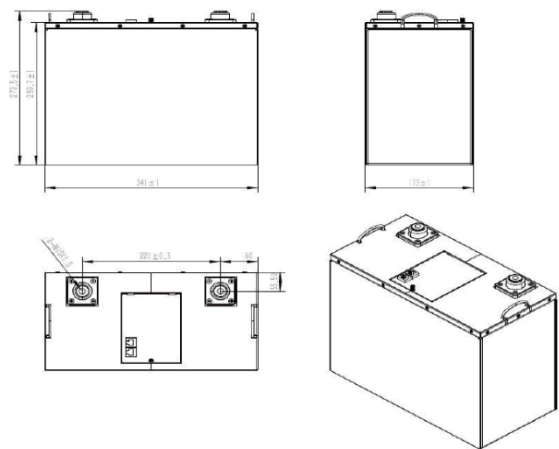
DIMENSION/WEIGHT

Dimension(W*H*D)	173 x 270 x 341mm
Weight	16.5KG

PERFORMANCE SPECIFICATION

Time		5min	10min	15min	20min	25min	30min	45min	1h	2h
21.5V	W	7890	5920	4385	3470	2760	2350	1750	1200	615
	A	367	275	204	161	128	109	81	56	29

PHYSICAL DIMENSION



DISCHARGING CHARACTERISTIC

