



TW-BP-2425A-L

LFPO Battery Pack



Nominal Voltage
25.6V 25AH



BMU replaceable design for easy maintenance



Integration BMS can real time monitor
voltage and temperature



Built-in isoSPITM Interface
•1Mb Isolated Serial Communications
•Uses a Single Twisted Pair, up to 100 Meters
•Low EMI Susceptibility and Emissions



Adopt the leading AFE IC of Linear technology
•With stackable high voltage Lithium battery system
•Built-in temperature and voltage sampling
•Anti-EMI

TW-BP-2425A-L

SPECIFICATION

Nominal Voltage	25.6V
Capacity	25Ah
Internal Resistance	$\leq 20\text{m}\Omega$

CHARGING/DISCHARGING

Standard Charging Current	7.5A
Max. Charging Current	12.5A
End of Charging Voltage	28.8V
Standard Discharging Current	150A
Max. Discharging Current	175A
End of Discharging Voltage	21.5V

TEMPERATURE RANGE

Charging	0°C ~ +45°C
Discharging	-10°C ~ +60°C
Ambient Temperature	+10°C ~ +35°C

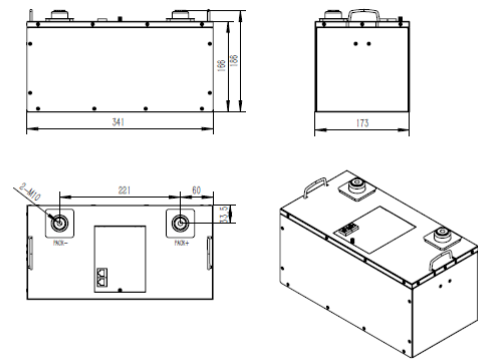
DIMENSION/WEIGHT

Dimension(W*H*D)	130 x 186 x 341mm
Weight	10KG

PERFORMANCE SPECIFICATION

Time		5min	10min	15min	20min	25min	30min	45min	1h	2h
21.5V	W	3945	2960	2193	1735	1380	1175	800	600	308
	A	180	135	102	81	64	55	37	28	14

PHYSICAL DIMENSION



DISCHARGING CHARACTERISTIC

